



Instruction Manual

T8348

programmable indoor transmitter
of temperature and CO₂ concentration
with RS232 serial output

T8448

programmable indoor transmitter
of temperature and CO₂ concentration
with RS485 serial output

© Copyright: COMET System, Ltd.

It is prohibited to copy and make any changes in this manual, without explicit agreement of company COMET System, Ltd. All rights reserved.

COMET System, Ltd. makes constant development and improvement of their products. Manufacturer reserves the right to make technical changes to the device without previous notice. Misprints reserved.

Manufacturer is not responsible for damages caused by using the device in conflict with this manual.

To damages caused by using the device in conflict with this manual can not be provide free repairs during the warranty period.

Read carefully instruction manual before the first device connection.

Contact address of this device's producer:

COMET SYSTEM, s.r.o.
Bezrucova 2901
756 61 Roznov pod Radhostem
Czech Republic
www.cometsystem.com

Table of contents

GENERAL DESCRIPTION	4
DEVICE SETTING FROM THE MANUFACTURER	6
DEVICE INSTALLATION	7
INFO MODE	9
DESCRIPTION OF COMMUNICATION PROTOCOLS	10
MODBUS RTU	10
PROTOCOL COMPATIBLE WITH ADVANTECH-ADAM STANDARD..	12
ARION COMMUNICATION PROTOCOL - AMIT COMPANY	13
TROUBLESHOOTING	14
ERROR STATES OF THE DEVICE.....	14
TECHNICAL SUPPORT AND SERVICE	14
TECHNICAL DATA	15
MEASURED VALUES.....	15
GENERAL SPECIFICATIONS	15
OPERATING CONDITIONS	16
END OF OPERATION	16
DIMENSIONS.....	17
TYPICAL APPLICATION WIRING	17
APPENDIX A	18

General description

The transmitters are designed for online measurement of carbon dioxide concentration and temperature of air in a building interiors.

device type	construction type	output	galvanic isolated output
T8348	ambient air	RS232	no
T8448	ambient air	RS485	yes

The CO₂ concentration is measured using the dual wavelength NDIR sensor with multiple point adjustment. The dual wavelength NDIR CO₂ sensing procedure compensates aging of the sensing element and offers maintenance free operation and outstanding long term stability. Measured values can be read in „SLOW mode“ (filtered, averaged) or in „FAST mode“ (current values without averaging). SLOW mode has advantages in applications like climate control because of filtering short time peaks. As an example exhaled air from an employee passing the sensor could affect the climate control negatively with a short response time because the control would trigger a change of the ventilation based on this one-time measurement. On the contrary in „FAST mode“ no software filter is used for calculating the output value. This fact adds a noise of typ. ±30ppm which has to be considered in terms of accuracy.

Measured values are displayed on dual line LCD display. The visual indication of CO₂ concentration is provided by three-color LED.

After power up of the device starts internal test. During this time (about 20s) LCD display shows (----) instead of CO₂ concentration value.

Supported communication protocols are Modbus RTU, protocol compatible with standard Advantech-ADAM and protocol ARION. Devices are preset from manufacturer to Modbus RTU communication protocol. If you would like to use different communication protocol then Modbus RTU, it is necessary preset them throw user's software – see below.

Use software *Tsensor* for setting of all device parameters (recommended). It is free to download at www.cometsystem.com. It supports make the adjustment of the device too. This procedure is described at file „*Calibration manual.pdf*“ which is installed commonly with the software. Change of some parameters is possible to do without user’s software with Windows hyperterminal (change of communication protocol, its parameters, LCD display setting). It is described in file “*Description of communication protocols*” (free to download at www.cometsystem.cz).

Models marked TxxxxZ are non-standard versions of the transmitters. Description is not included in this manual.

Device setting from the manufacturer

If special setting was not required in the order device is set from the manufacturer to the following parameters:

communication protocol:	Modbus RTU
device address:	1
communication speed:	9600Bd, without parity, 2 stop bits
display:	switched ON
value displayed at higher line:	CO ₂ concentration
value displayed at lower line:	temperature
temperature unit:	°C
measurement CO ₂ mode:	“SLOW“
LED indication:	up to 1000 ppm lights green LED, between 1000 and 1200 ppm lights yellow LED and over 1200 ppm lights red LED

Device installation

Devices are designed for indoor applications. It is recommended to mount them on universal wiring box (common installation box KU68) with using two enclosed mounting screws. For correct function there is necessary to find proper device place. It shouldn't be placed at places where it can be affected by sunshine, near radiators, heating elements and other heat sources, air handlers, windows, doors, into racks and shelves and similar places. For buildings with less thermal insulation there is not suitable to place them on external walls of building. If there are communication conductors placed into conduit, there is strongly recommended make it caulk, to restrict air flow around device.

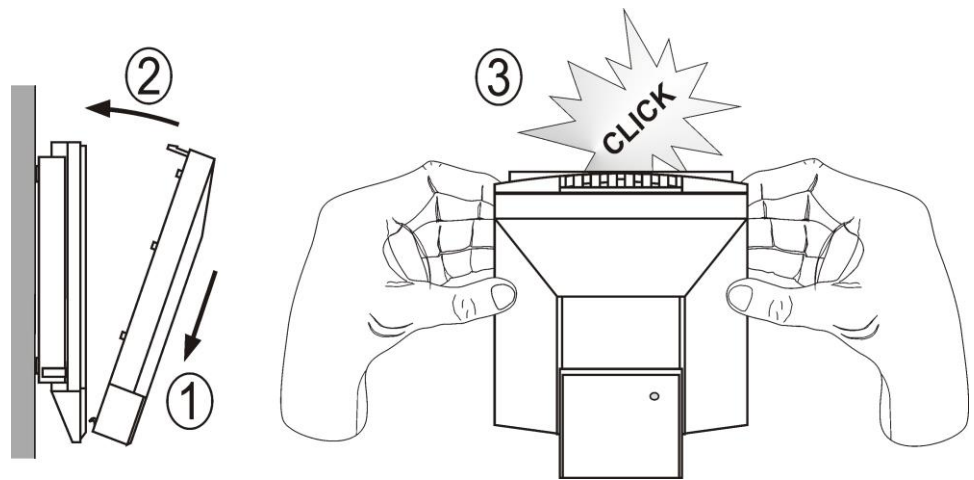
For devices with RS485 output there is recommended to use shielded twisted copper cable, maximal length 1200m. The cable must be located at indoor rooms. Connect cables to terminals with respecting the signal polarity. Terminals are self-clamping and can be opened by a suitable screwdriver (for the opening, insert the screwdriver to upper terminal hole and lever by him). Nominal cable impedance should be 100 Ω , loop resistance max. 240 Ω , cable capacity max. 65 pF/m. Suitable cable is e.g. SYKFY 2x2x0.5 mm², where one wire pair serves for device powering and the other pair for communication link. The cable should be led in one line, i.e. not to „tree“ or „star“. Termination resistor should be located at the end. For short distance other topology is allowed. Terminate the network by a termination resistor. The value of the resistor is recommended about 120 Ω . For short distance termination resistor can be left out.

The devices with RS232 interface can be powered from external power source only. Maximal communication cable length is restricted to 15 m

The cables should not be led in parallel along power cabling. Safety distance is up to 0.5 m, otherwise undesirable induction of interference signals can appear.

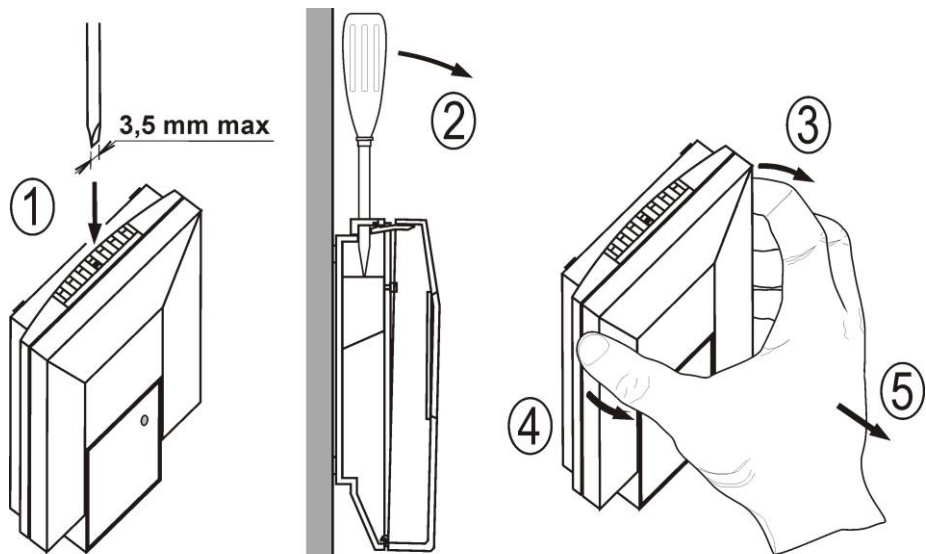
Firstly mount the rear part of the device on the wiring box with two screws and connect cables to terminals. Finish the installation by inserting the front part of the unit.

Electrical system (wiring) may do only worker with required qualification by rules in operation.



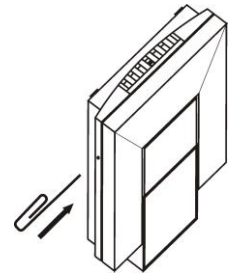
Device demounting

If there is necessary demount the device, insert flat bladed screwdriver max. 3.5 mm wide from top side into middle device's air hole. There is fastening member placed, insert screwdriver beyond the fastening member about 2 cm deep. Then slightly move screwdriver in arrow direction, it unlock fastening member and the device is partially opened. Remove the screwdriver and take front part of device at top. Pull front part with pendulum motion and remove front cover. If there is necessary remove rear part of the device, please disconnect cables and unscrew two holding screws.



Info mode

If in doubt of setting of installed device, verification of its address is enabled even without using computer. Power supply should be connected and jumper should be opened. Jumper is accessible after removing the front part of device (jumper is placed at the right bottom corner at the same side as button). Shortly press button behind small hole on the left side of the device using thin instrument (for example paper clip). Actual adjusted address of the device is displayed on LCD display at decimal base. Next press of button exits info mode and actual measured values are displayed. Devices with RS232 interface have address always set to one. No measurement and communication is possible during info mode. If device stays in info mode for longer than 15 s, device automatically returns to measuring cycle.



Description of communication protocols

Detailed description of each communication protocols including examples of communication is available in individual document “*Description of communication protocols*” which is available at www.cometsystem.com (see appropriate transmitter pages).

Note: After switching on the power of the device it can last up to 2 s before the device starts to communicate and measure!

Modbus RTU

Control units communicate on master-slave principle in half-duplex operation. Only master can send request and only addressed device responds. During sending of request no other slave station should respond. During communication, data transfer proceeds in binary format. Each Byte is sent as eight bit data word in format: 1 start bit, data word 8 bit (LSB first), 2 stop bits (device sends two stop bits, for receive one stop bit is enough), without parity. Device supports communication speed from 110Bd to 115200Bd.

Sent request and response have syntax:
ADDRESS OF DEVICE – FUNCTION – Modbus CRC

Supported function

- 03 (0x03):** Reading of 16-bit registers (Read Holding Registers)
- 04 (0x04):** Reading of 16-bit input gates (Read Input Registers)
- 16 (0x10):** Setting of more 16-bit registers (Write Multiple Registers)

Jumper and button

If communication protocol Modbus is selected the function of jumper and button is as follows:

- Jumper opened – device memory is protected from writing, from device side it is only enabled to read measured value, writing to memory is disabled (no change of device address, communication speed and LCD setting is enabled ...)

- Jumper closed – writing to device memory is enabled by means of User's software
- Jumper opened and button shortly pressed – device goes to Info mode, see chapter „Info mode“
- Jumper closed and button pressed for longer than six seconds – causes restoring of manufacturer setting of communication protocol, i.e. sets Modbus RTU communication protocol, device address sets to 1 and communication speed to 9600Bd (after button press there is “dEF” message blinking at LCD display. Six seconds later message “dEF” stays shown, it means manufacturer setting of communication protocol is done).

Modbus device registers

Variable	Unit	Address [hex] ^x	Address [dec] ^x	Format	Size	Status
Measured temperature	[°C][°F] [*]	0x0031	49	Int*10	BIN16	R
CO ₂ concentration displayed on LCD	ppm	0x0034	52	Int	BIN16	R
CO ₂ concentration „FAST“ mode	ppm	0x0054	84	Int	BIN16	R
CO ₂ concentration „SLOW“ mode	ppm	0x0055	85	Int	BIN16	R
Serial number of device Hi	[-]	0x1035	4149	BCD	BIN16	R
Serial number of device Lo	[-]	0x1036	4150	BCD	BIN16	R
Address of device	[-]	0x2001	8193	Int	BIN16	R/W [*]
Code of communication speed	[-]	0x2002	8194	Int	BIN16	R/W [*]
Version of Firmware Hi	[-]	0x3001	12289	BCD	BIN16	R
Version of Firmware Lo	[-]	0x3002	12290	BCD	BIN16	R

Explanation:

- * depends on device setting (by User's software)
- Int*10 register is in format integer*10
- R register is designed only for reading

-
- W* register is designed for writing, for details see description of communication protocols
- x register addresses are indexed from zero – register 0x31 is physically sent as value 0x30, 0x32 as 0x31 (zero based addressing).

Note: In case there is a need for reading of measured values from the device with higher resolution than one decimal, measured values in device are stored also in „Float“ format, which is not directly compatible with IEEE754.

Protocol compatible with Advantech-ADAM standard

Control units communicate on master-slave principle in half-duplex operation. Only master can send requests and only addressed device responds. During sending request any of slave devices should respond. During communication data is transferred in ASCII format (in characters). Each Byte is sent as two ASCII characters. Device supports communication speed from 1200Bd to 115200Bd, parameters of communication link are 1 start bit + eight bit data word (LSB first) + 1 stop bit, without parity.

Jumper

Jumper is located next to connection terminals. If communication protocol compatible with standard Advantech-ADAM is selected, its function is the following:

- If jumper during switching ON the power is closed, device always communicates with following parameters regardless stored setting in the device: communication speed 9600 Bd, without check sum, device address 0.
- If jumper is closed during device operation, device temporarily changes its address to 0, it will communicate in the same communication speed as before closing jumper and will communicate without check sum. After jumper is opened setting of address and check sum is reset in accordance with values stored in the device.

-
- If jumper during switching ON the power is not closed, device communicates in accordance with stored setting.
 - Communication speed and check sum are possible to change only if jumper is closed.
 - Jumper closed and button pressed for longer than six seconds – causes restoring of manufacturer setting of communication protocol, i.e. sets Modbus RTU communication protocol, device address sets to 1 and communication speed to 9600Bd (after button press there is “dEF” message blinking at LCD display. Six seconds later message “dEF” stays shown, it means manufacturer setting of communication protocol is done).

Command format for value reading

For communication with device which measure more than one value, there is necessary to add at the end of command the number of communication channel, where the measured value is mapped. Command for value reading is **#AAx(CRC) cr**, where **AA** is device address, **x** is number of communication channel, **CRC** is check sum (can be used or not).

Measured value	Number of communication channel
Temperature	0
CO ₂ concentration	3

Command #AA(CRC) cr for reading all measured values at once is supported for multi-channel devices since firmware version 02.60.

Response:

>(temperature)(relative humidity)(dew point temperature)(absolute humidity)
(specific humidity)(mixing ratio)(specific enthalpy)(CO₂ concentration)cr

ARION communication protocol - AMiT company

The device supports communication protocol ARiON version 1.00. For more details see file “*Description of communication protocols*” at www.cometsystem.cz (see appropriate transmitter pages) or you can visit www.amit.cz.

Troubleshooting

Error states of the device

Device continuously checks its state during operation. In case error is found LCD displays corresponding error code:

- Error 0** - first line displays „Err0“. Check sum error of stored setting inside device's memory. This error appears if incorrect writing procedure to device's memory occurred or if damage of calibration data appeared. At this state device does not measure. It is a serious error, contact distributor of the device to fix.
- Error 1** - there is a reading „Err1“ on LCD display. Measured temperature is over upper limit of allowed full scale range. This state appears in case of measured temperature is higher than approximately 600°C (i.e. high non-measurable resistance of temperature sensor, probably opened circuit).
- Error 2** - there is a reading „Err2“ on LCD display. Measured temperature is below lower limit of allowed full scale range or CO₂ concentration measurement error occurred. Value read from the device is -999.9.. This state appears in case of measured temperature is lower than approximately -210°C (i.e. low resistance of temperature sensor, probably short circuit).
- Error 3** - there is a reading „Err3“ on LCD display upper line. Error of internal A/D converter appeared (converter does not respond, probably damage of A/D converter). At this state device does not measure temperature. This error does not affect CO₂ concentration measurement. It is a serious error, contact distributor of the device.
- Error 4** - there is a reading „Err4“ on LCD display. It is internal device error during CO₂ concentration sensor initialization. Under this condition device does not measure concentration of CO₂. Value read from device is -999. It is a serious error, contact distributor of the device.

Technical support and service

Technical support and service is provided by distributor. For contact see warranty certificate.

Technical data

Measured values

CO₂ concentration:

Accuracy:	± (50 ppm + 3 % of measuring value) at 25 °C (77 °F) and 1013 hPa
Range:	0 to 5000 ppm
Temp. dependence	± (1 + measured value [ppm]/1000) ppm / °C at the range -20 to 45 °C (-4 to 113 °F)
Long term stability:	typ. 20 ppm / year
Resolution:	1 ppm
Response time:	t ₉₀ < 195 s in „SLOW“ measurement mode t ₉₀ < 75 s in „FAST“ measurement mode

Temperature:

Accuracy:	± 0.5 °C (±0.9 °F)
Measuring range:	-10 to +50 °C (14 to 122 °F)
Resolution:	0.1 °C
Response time:	t ₉₀ < 6 min (air flow approximately 0.3 m/s) t ₉₀ < 11 min (no air flow)

General specifications

RS485 interface:

Receiver-Input Resistance:	96 kΩ
Devices on bus:	max. 256 (1/8 Unit Receiver Load)

Power supply voltage:

9 to 30 Vdc

Power consumption:

0,5 W during normal operation
3 W for 50 ms with 15 s period

Measuring interval:

temperature	0,5 s
CO ₂ concentration	15 s

Protection:

IP20

Recommended calibration interval:

2 years (CO₂ concentration 5 years, temperature 2 years)

Storage temperature range:

-40 to +60 °C (-40 to 140 °F)

Storage relative humidity range:

5 to 95 %RH (no condensation)

Storage pressure range:

700 to 1100 hPa

Electromagnetic compability:

EN 61326-1

Weight:

approximately 150 g

Case material:

ASA

Operating conditions

Operating temperature range:

-10 to +50 °C (14 to 122 °F)

Operating relative humidity range:

5 to 95 %RV (no condensation)

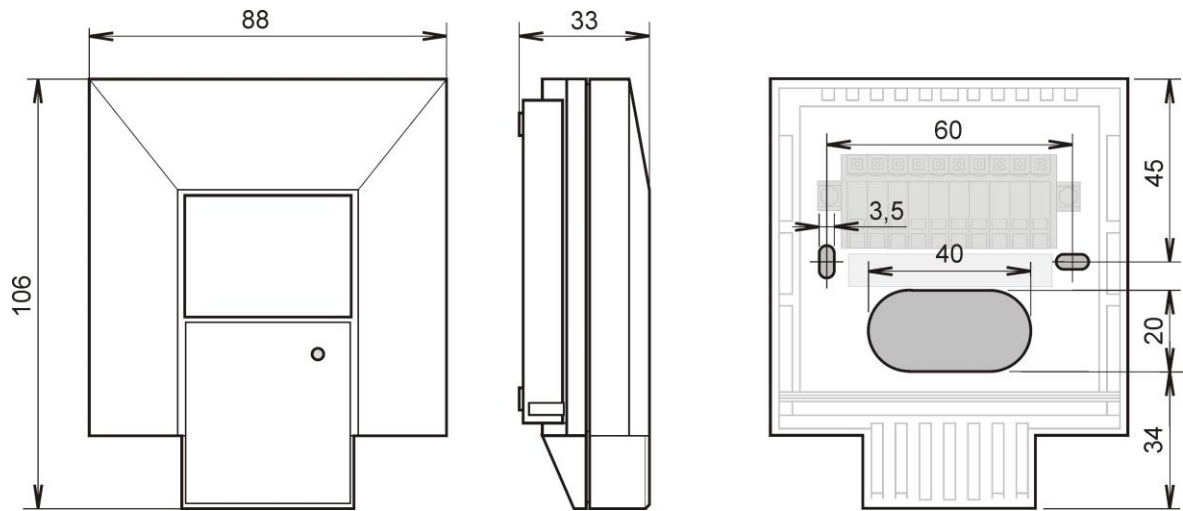
Operating pressure range:

850 to 1100 hPa

End of operation

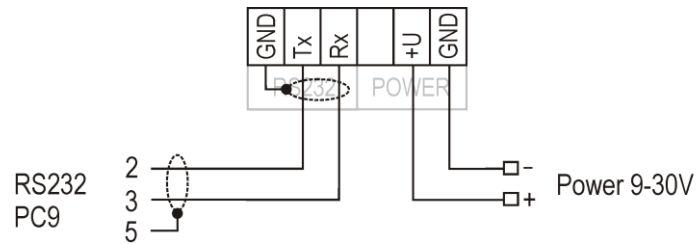
Dispose of the device according to statutory regulations.

Dimensions

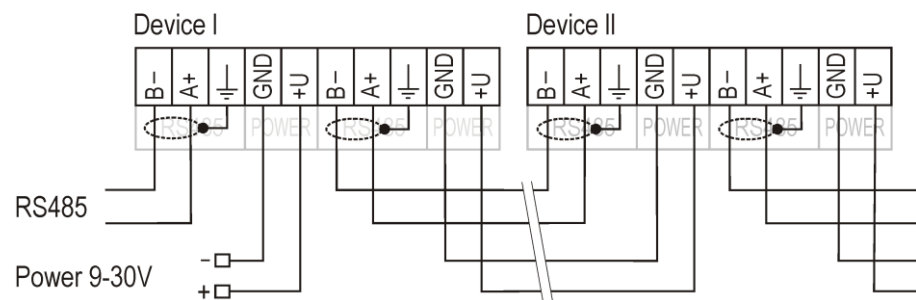


Typical application wiring

T8348

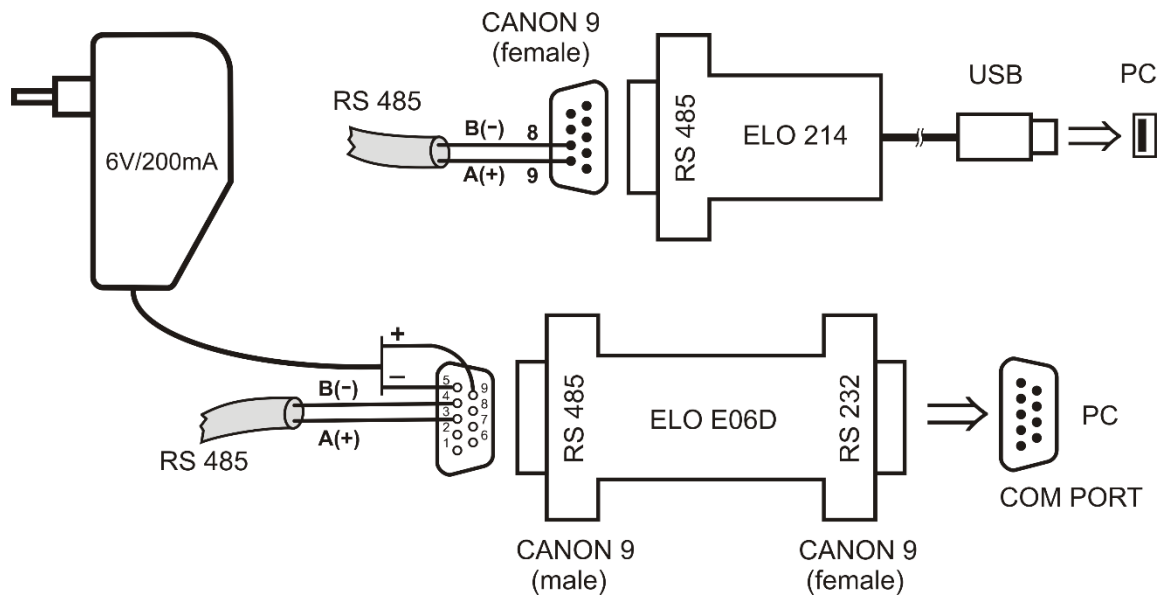


T8448



Appendix A

Connecting transmitters with RS485 interface to a PC



To connect a transmitter with an RS485 interface to a computer, you can use a suitable commercially available converter. Connect the converter according to the converter's manual. In case of communication problems, check whether it is necessary to configure the resistor connections for defining the idle state, the termination resistor or the time delay. The above figure shows examples of connection using the ELO E214 converters (connects to the computer's USB interface) and ELO E06D (for a computer with an RS232 interface).